

PROCESSOR
252 SHEET 4
DSP AUDIO

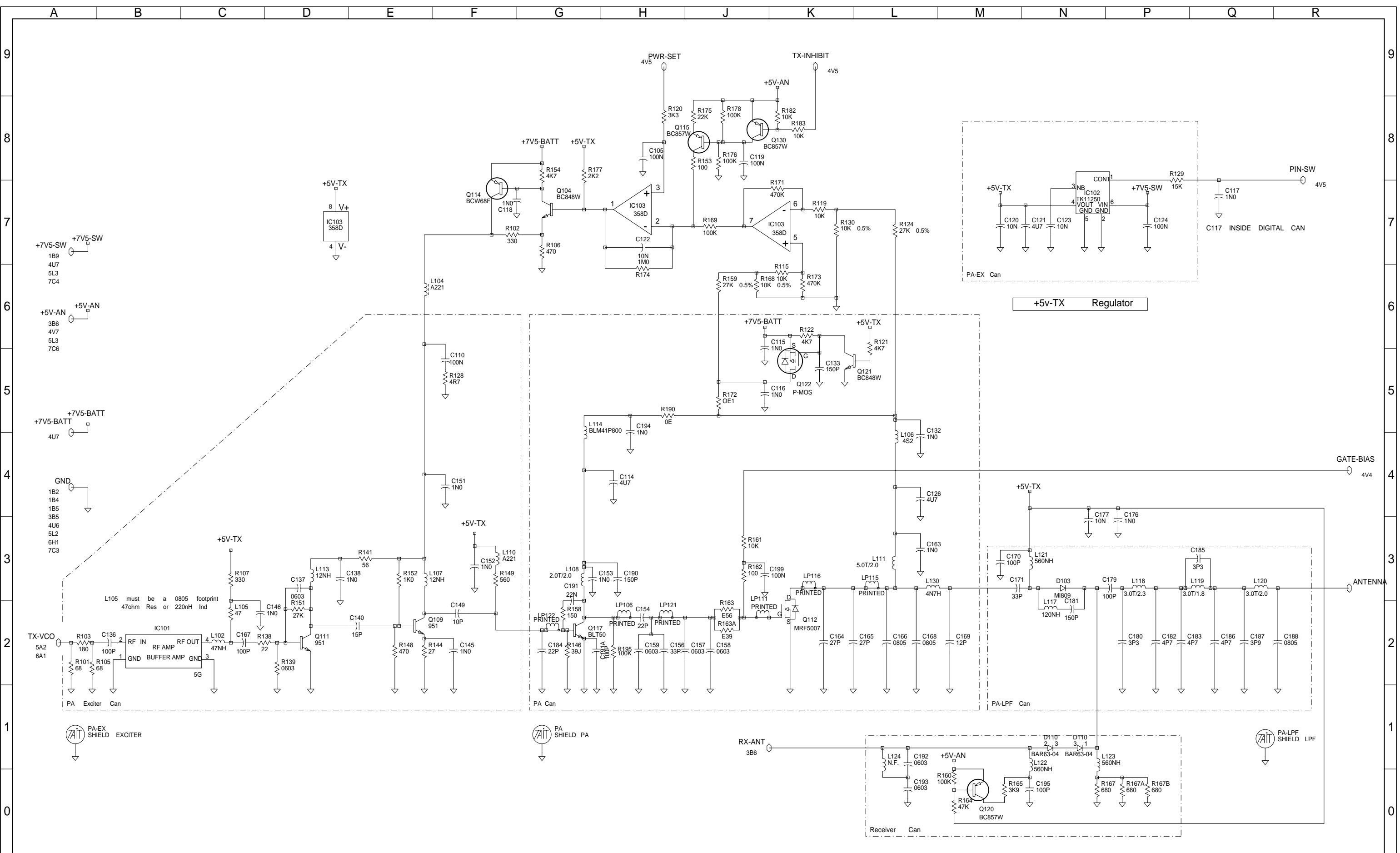
RECEIVER

SYNTH-VCO

POWER-AMP

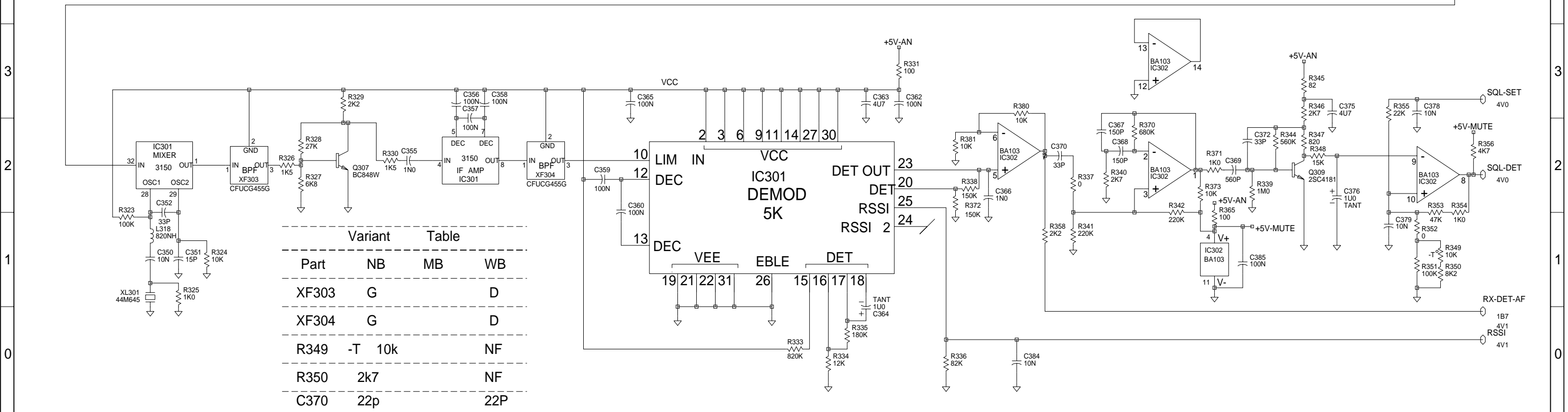
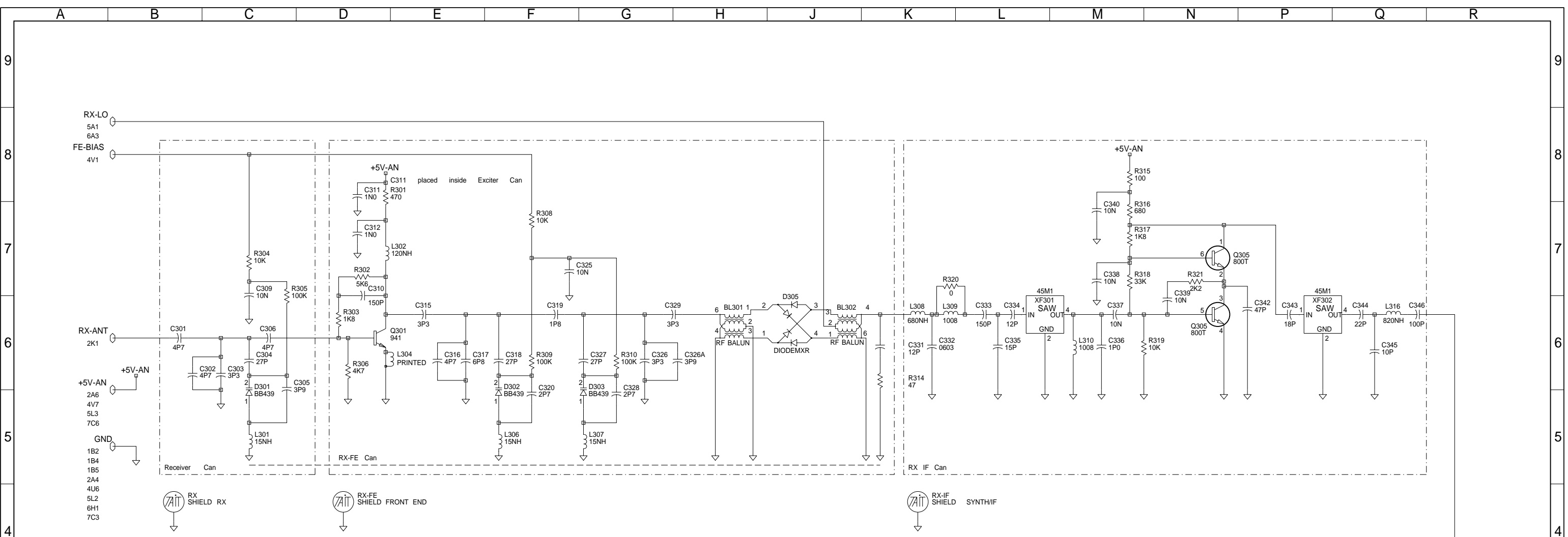
REV/ISS	AMENDMENTS	DRAWN	CHKD	D.O.	APVD	DATE
07E	CHANGED PASTE FOR SMALL TCXO	BRD				31-05-99
07D	CHANGED CAN NAMES TO MATCH BAAN	BRD				19-04-99
07C	ROTATED TANT C364 180 DEG500185	BRD				11-03-99
07C	CHANGED PASTE ON PA & PROB PINS	BRD				19-02-99
05	MOREUPDATES	DBH				
04	UPDATED AND MOVED AERIAL SOCKET	MAJ				
03 B	UPDATED VALUES ADDED CANS TO PLA	MAJ				

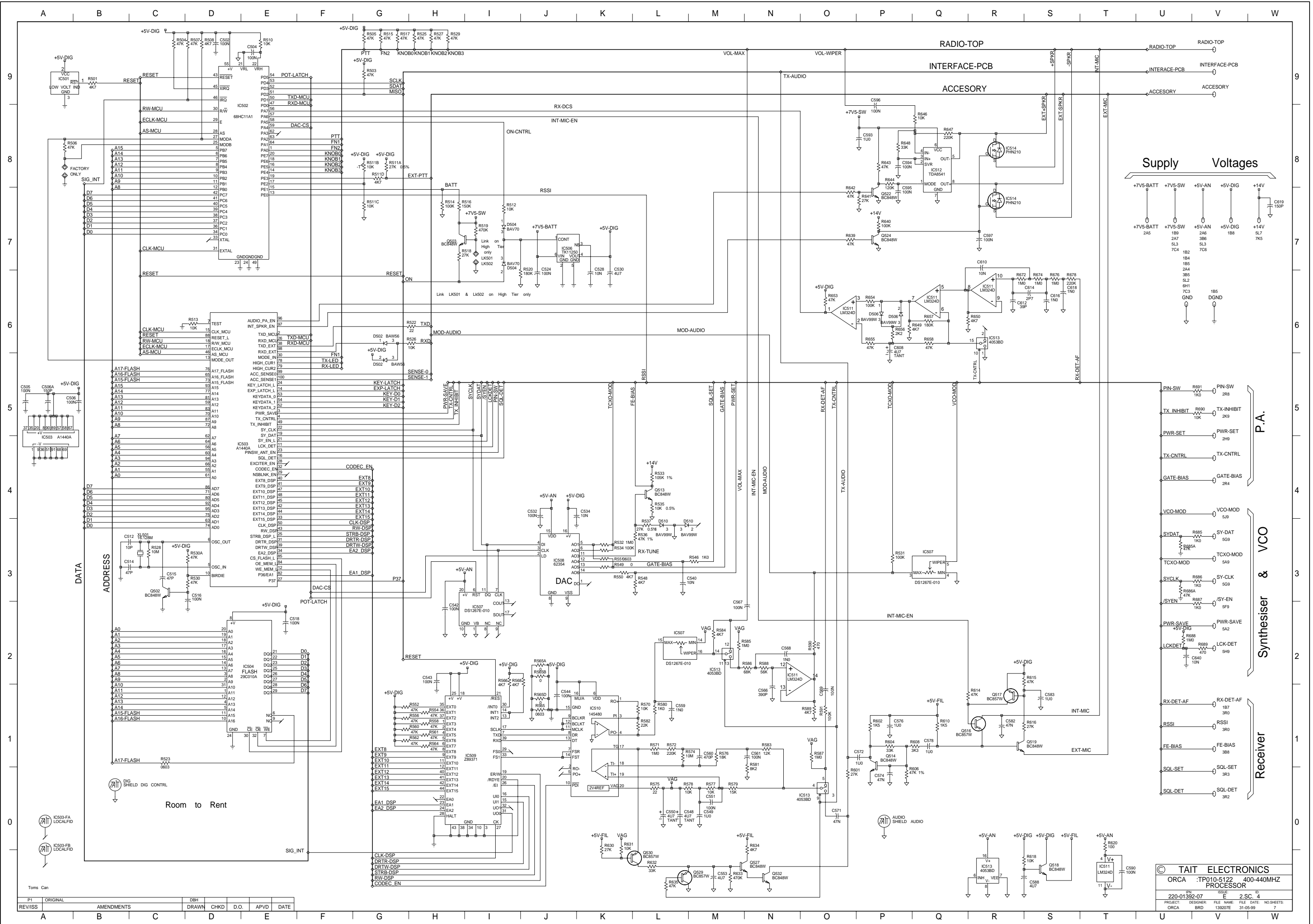
TAIT ELECTRONICS			
ORCA :TP010-5122 400-440MHZ SYSTEM DIAGRAM			
IPN:	ISSUE:	ID:	
220-01392-07	E	2.S.C. 1	
PROJECT:	DESIGNER:	FILE NAME:	FILE DATE:
ORCA	BRD	139207E	31-05-99
			NO.SHEETS: 7



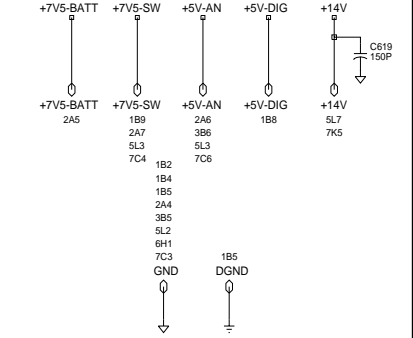
© TAIT ELECTRONICS
 ORCA :TP010-5122 400-440MHZ
 POWER AMPLIFIER
 IPN: 220-01392-07 ISSUE: E ID: 2.S.C. 2
 PROJECT: ORCA BRD DESIGNER: 139207E FILE NAME: 31-05-99 NO.SHEETS: 7

REV/ISS	AMENDMENTS	DRAWN	CHKD	D.O.	APVD	DATE
A						

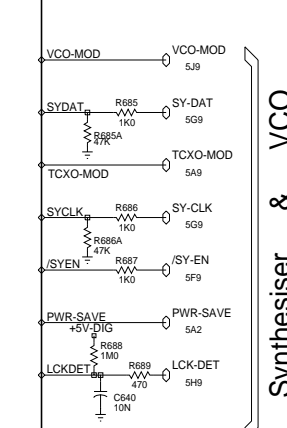




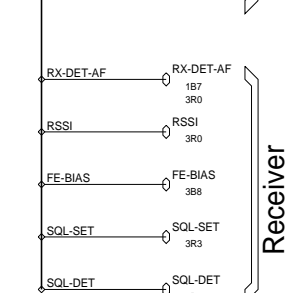
Supply Voltages



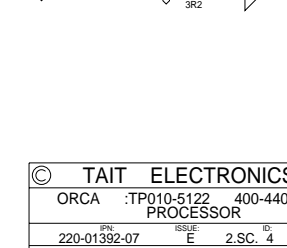
P.A.



Synthesiser & VCO

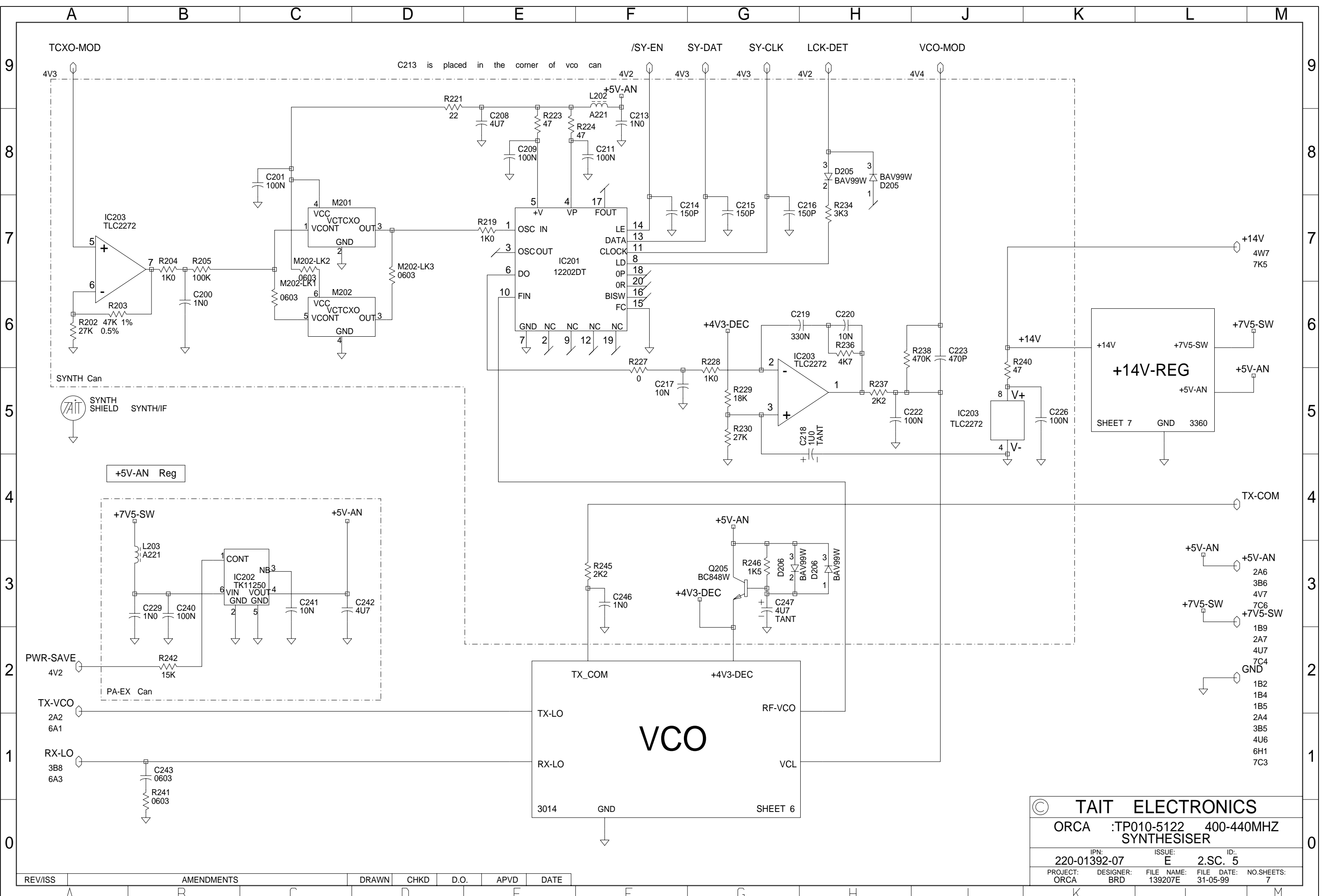


Receiver



REV/ISS	P1	ORIGINAL	AMENDMENTS	DRAWN	CHKD	D.O.	APVD	DATE
	A							

© TAIT ELECTRONICS
 ORCA :TP010-5122 400-440MHZ
 PROCESSOR
 220-01392-07 E 2 SC. 4
 PRODUCT DESIGNER FILE NAME: FILE DATE: NO SHEETS
 ORCA BRD 138207E 31-05-99 7



/SY-EN SY-DAT SY-CLK LCK-DET VCO-MOD

C213 is placed in the corner of vco can

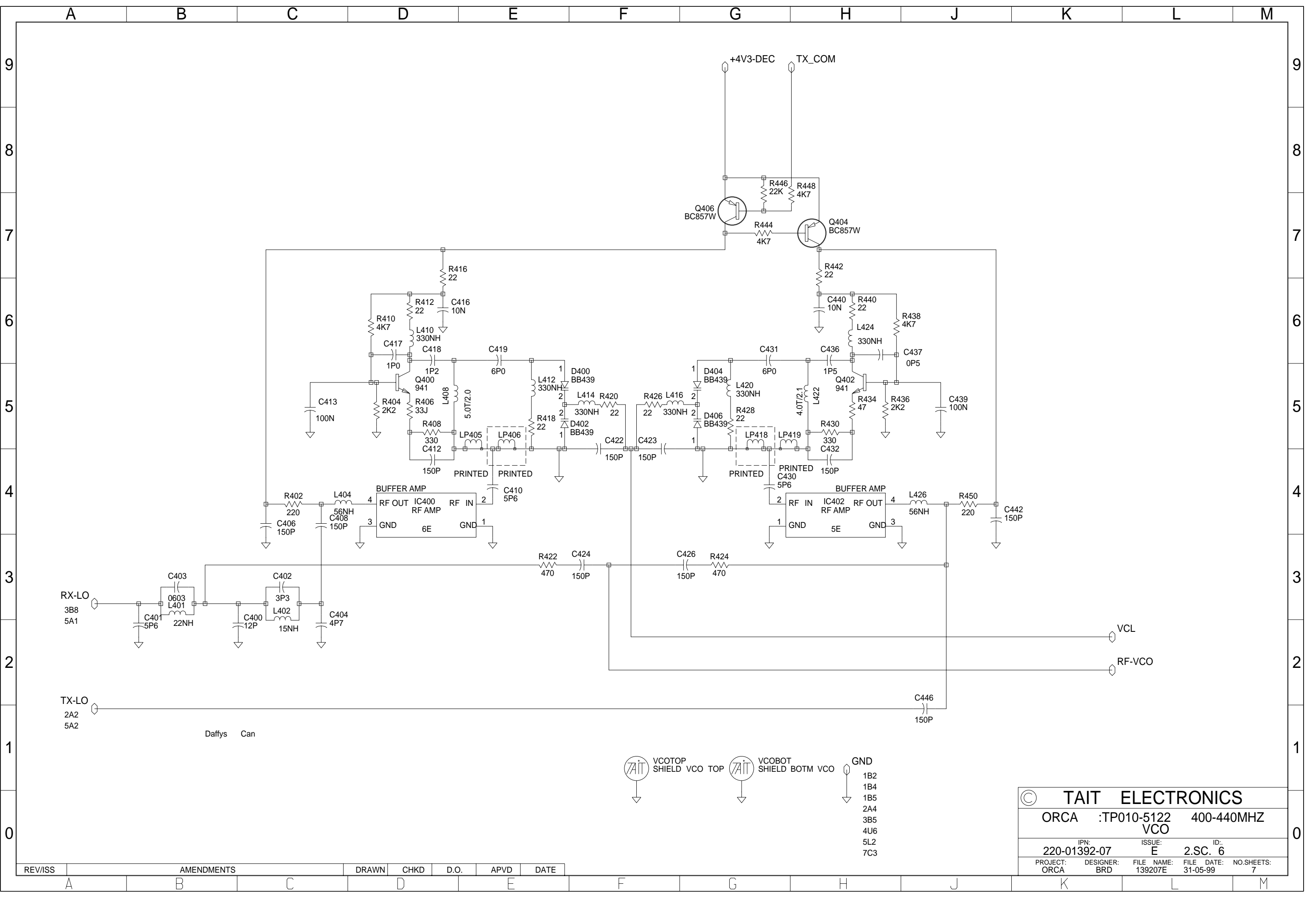
+14V-REG
SHEET 7 GND 3360

VCO
SHEET 6 3014

© TAIT ELECTRONICS				
ORCA :TP010-5122 400-440MHZ SYNTHESISER				
IPN:	ISSUE:	ID:		
220-01392-07	E	2.SC. 5		
PROJECT:	DESIGNER:	FILE NAME:	FILE DATE:	NO.SHEETS:
ORCA	BRD	139207E	31-05-99	7

REV/ISS	AMENDMENTS	DRAWN	CHKD	D.O.	APVD	DATE

- +5V-AN 2A6
- +5V-AN 3B6
- 4V7 4V7
- +7V5-SW 7C6
- +7V5-SW 7C4
- GND 1B9
- 1B2 1B2
- 1B4 1B4
- 1B5 1B5
- 2A4 2A4
- 3B5 3B5
- 4U6 4U6
- 6H1 6H1
- 7C3 7C3



© TAIT ELECTRONICS

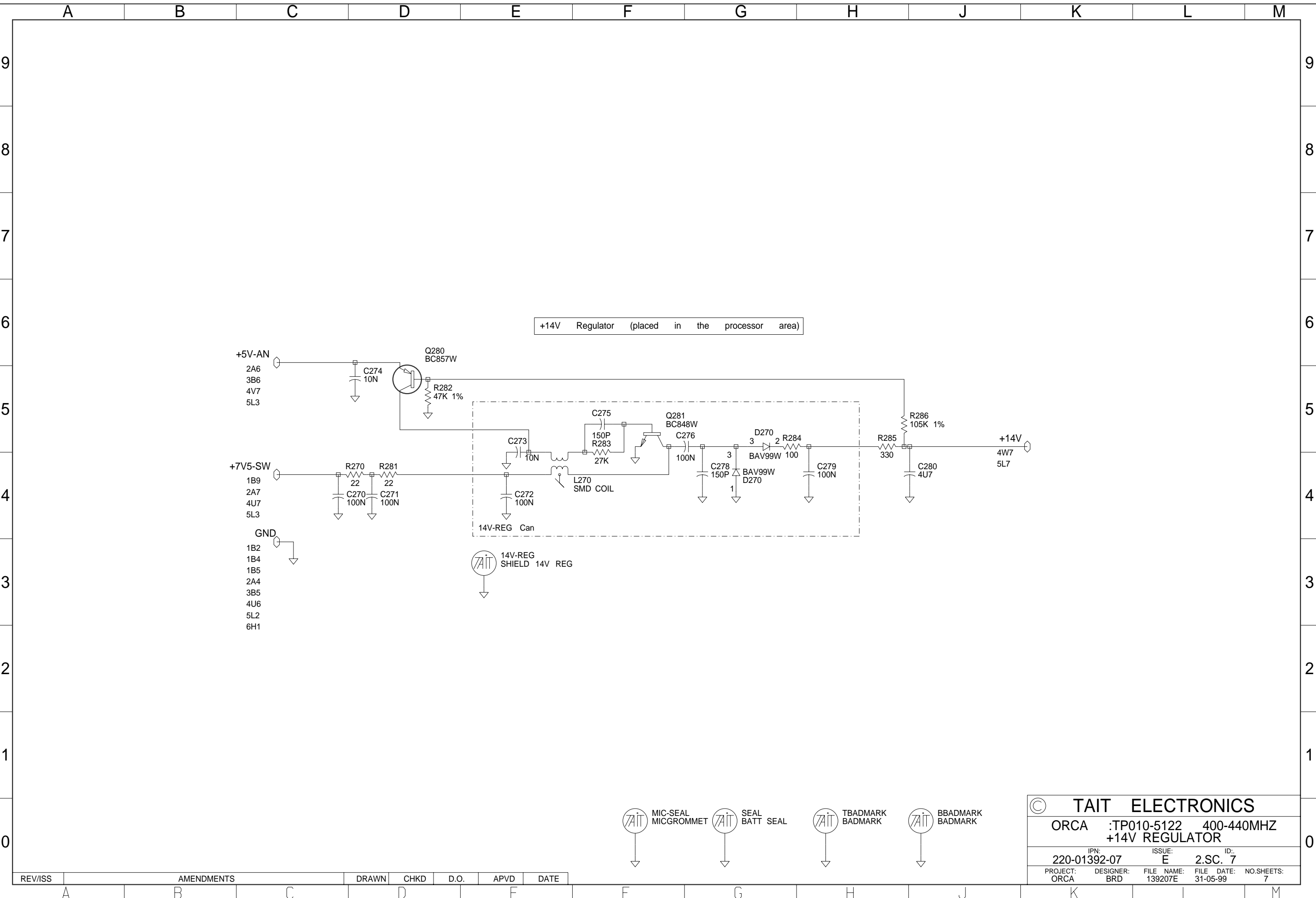
ORCA :TP010-5122 400-440MHZ
VCO

IPN: 220-01392-07 ISSUE: E ID: 2.SC. 6

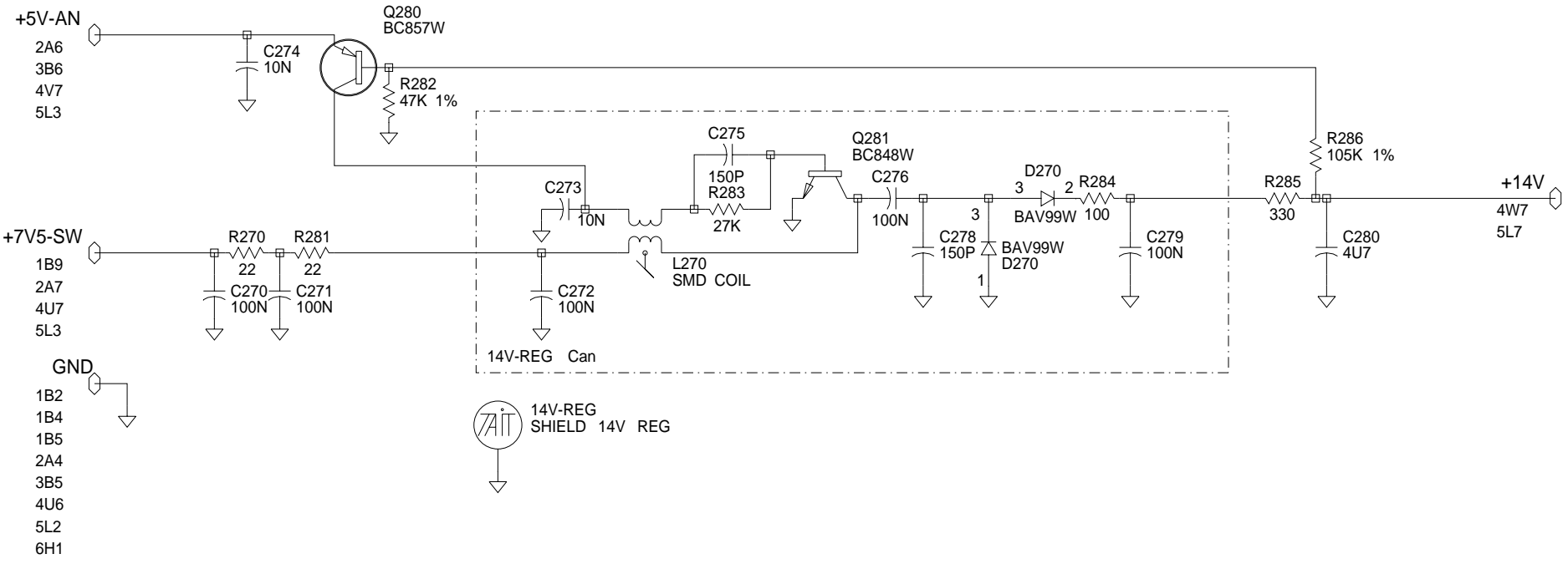
PROJECT: ORCA DESIGNER: BRD FILE NAME: 139207E FILE DATE: 31-05-99 NO.SHEETS: 7

REV/ISS	AMENDMENTS	DRAWN	CHKD	D.O.	APVD	DATE

- VCOTOP SHIELD VCO TOP
- VCOBOT SHIELD BOTM VCO
- GND
- 1B2
- 1B4
- 1B5
- 2A4
- 3B5
- 4U6
- 5L2
- 7C3



+14V Regulator (placed in the processor area)



- GND
- 1B2
 - 1B4
 - 1B5
 - 2A4
 - 3B5
 - 4U6
 - 5L2
 - 6H1

- MIC-SEAL MICGROMMET
- SEAL BATT SEAL
- TBADMARK BADMARK
- BBADMARK BADMARK

© TAIT ELECTRONICS				
ORCA	:TP010-5122	400-440MHZ	+14V REGULATOR	
IPN:	220-01392-07	ISSUE:	E	ID: 7
PROJECT:	ORCA	DESIGNER:	BRD	NO.SHEETS: 7
FILE NAME:	139207E	FILE DATE:	31-05-99	

REV/ISS	AMENDMENTS	DRAWN	CHKD	D.O.	APVD	DATE